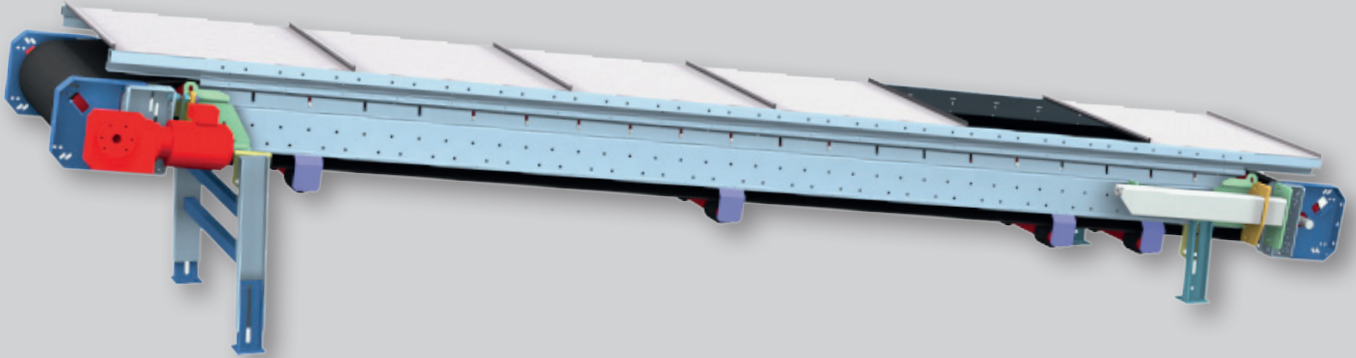


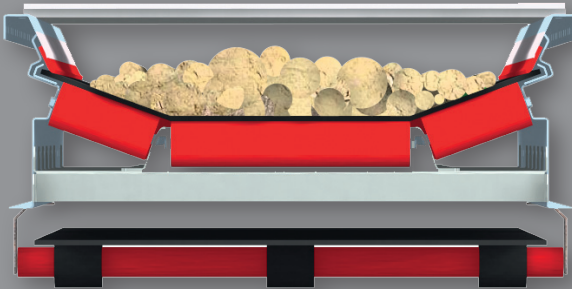


# Innovative conveying systems

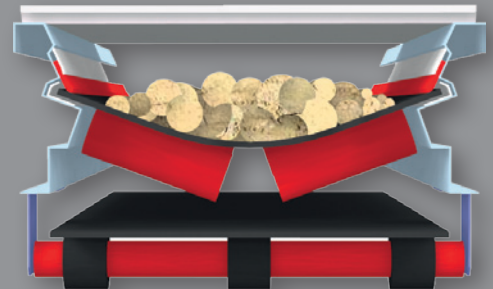
## Dust-proof K-rack



Safety guard by encased in the structure of the frame



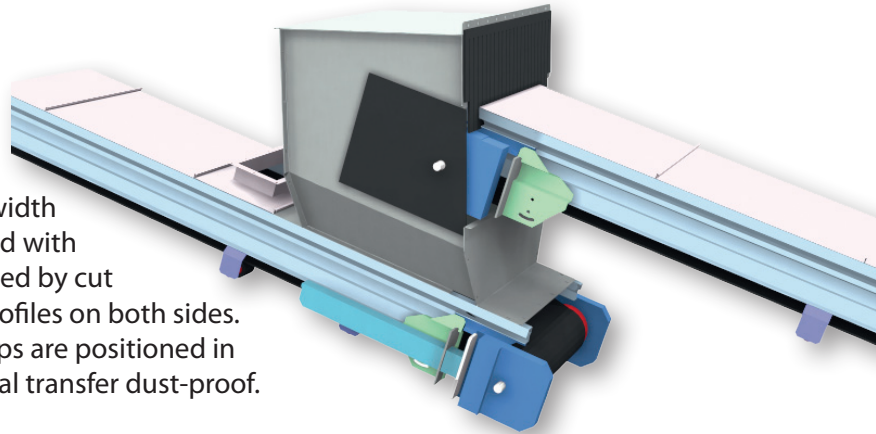
Dust-proof transport



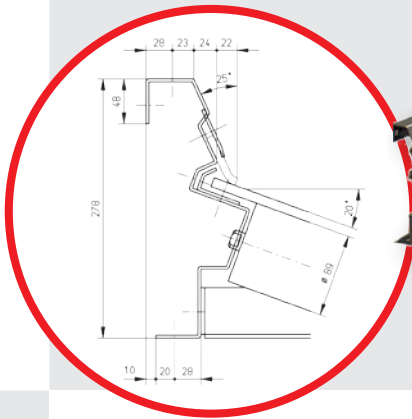
- \* Encased material stream for dust-proof conveying
- \* Safety guard by encased in the structure of the frame
- \* Easy to maintain and to install
- \* Modular and expandable

# The VHV K-rack

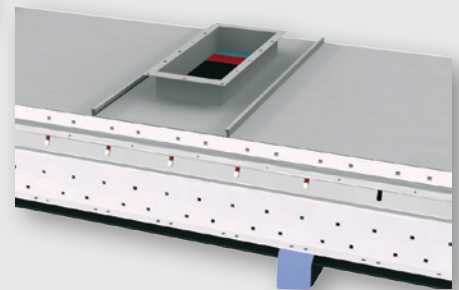
- \* By using standardised belt widths, the VHV K-racks increase the effective width and reduce the width of racks compared with standard systems. Belt tracking is avoided by cut edge belts which are guided in wear profiles on both sides. Clamped adjustable rubber sealing strips are positioned in the feed zone. Headboxes make material transfer dust-proof.



- \* Dust-proof casing

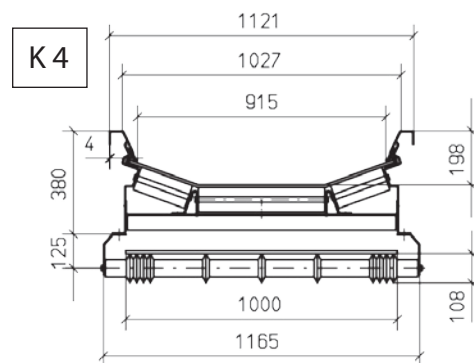
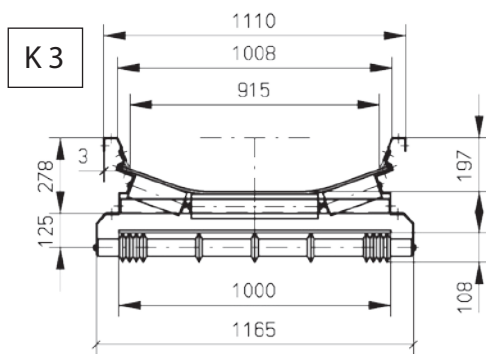


- \* Consolidated shape



- \* Dedusting flange as component part

## Rack variants



- \* Different belt widths available!



VHV Anlagenbau GmbH

Dornierstraße 9 • D-48477 Hörstel

T +49 5459 9338-0 • F +49 5459 9338-80

Mail: [info@vhv-anlagenbau.de](mailto:info@vhv-anlagenbau.de) • Web: [www.vhv-anlagenbau.de](http://www.vhv-anlagenbau.de)